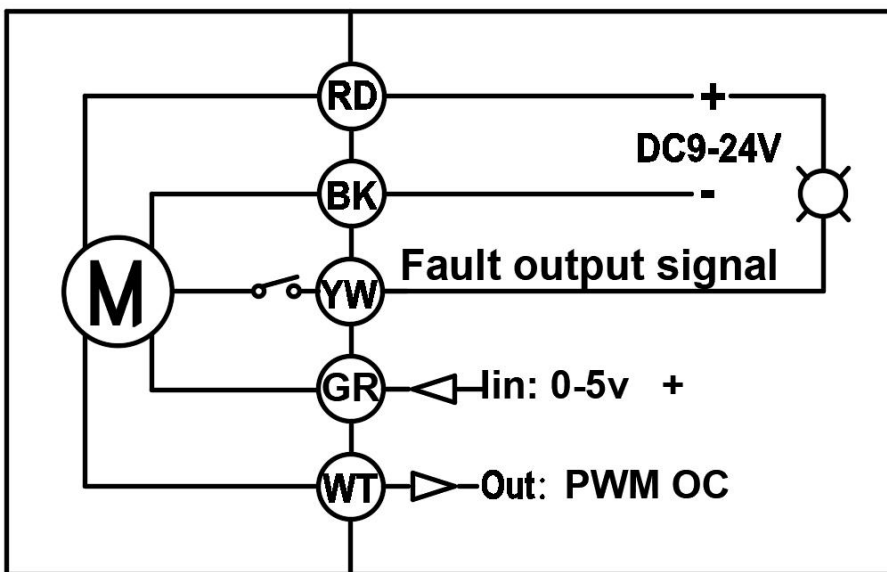




### Wiring diagram



- 1, RD connect DC9-24V positive pole
- 2, BK connect DC9 ~ 24V-negative pole / 4-20mA-/0-5V-/0-10V-negative pole
- 3 GR connect position input /control current +/ control voltage +(4-20mA, 0-5V, 0-10V) positive pole
- 4, YW connect ERR output ,OC output
- 5, WT connect position feedback ,OC output PWM signal

## Instruction For Manual Function

### Manual override instructions:



### In case of an electric supply failure, it is possible to operate the actuator manually:

1. Power must be in off position when start the manual override.
2. Gently pull up the knob about 3mm, then revolve the knob around left and right to control the valve open or close.
3. When the red needle in the indicator pointing to S, means the valve is closed. When pointing to O, means the valve is open.
4. After finish the manual override operation, must press down the knob, so that for the normal electric operation.

- 1, The manual function can only use in the power failure situation.
- 2, Rotating the hand wheel left and right with small angle, and pulling up the hand wheel about 3mm until the valve arriving.
- 3, The red line on the window pointer to indicate S, the valve is closed, indicating O, the valve is open.
- 4, Pressing down the hand wheel when no need of the manual operation, so the normal electric power can work.

### Quality assurance:

This company pledged seriously:

The product sells in one year, in meets under the regular service condition, will have the quality problem free to fix or replace the products.

The following situation does not belong to the above scope:

- ◆ Unusual use
- ◆ The valve ball wears seriously
- ◆ Outside breakage.